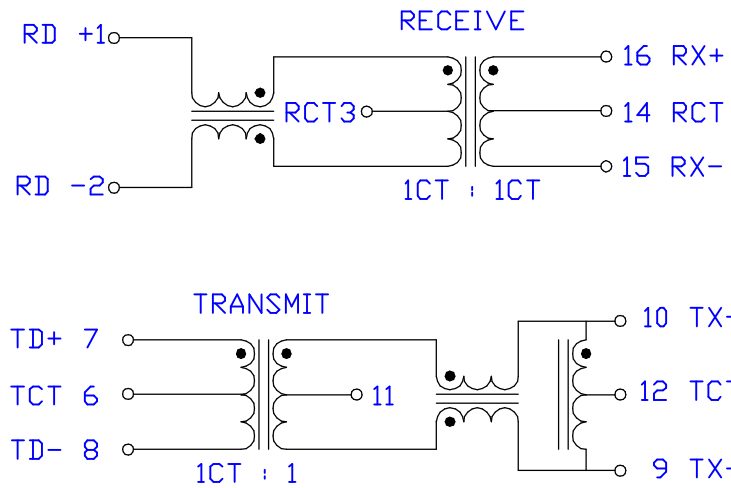


PCB Suggest pad layout
Tolerances : ± 0.25



ELECTRICAL CHARACTERISTICS :

1. INSERTION LOSS (0.3 TO 100 MHZ) : -1.3 dB MAX.
2. TURNS RATIO (± 5%) : RX 1CT : 1CT, TX 1CT : 1CT
3. RETURN LOSS (dB MIN) :

30MHZ	60MHZ	80MHZ
-16	-12	-11
4. CROSS TALK (dB MIN) :

30MHZ	62MHZ	100MHZ
-40	-40	-35
5. DIFFERENTIAL TO COMMON MODE REJECTION (dB MIN) :

30MHZ	50MHZ	100MHZ	150MHZ
-35	-33	-20	-20
6. HI-POT ISOLATION : 1500 Vrms.

						Atech [®]		TITLE 10/100 BASE-T TRANSFORMER	
						Atech Technology Co., Ltd.		DWG. NO. ATPL-074A	
						TEL:(02)2794-6667 FAX:(02)2794-8004			
RELEASE	06/02/2001	PAIR		SUEDY		UNITS: M/M	SAFETY		SHEET 1 OF 1
NO. DESCRIPTION	DATE	BY	CHK	APPD	DATE			DRAW	
REVISIONS						06/02/01		<i>Pair</i>	